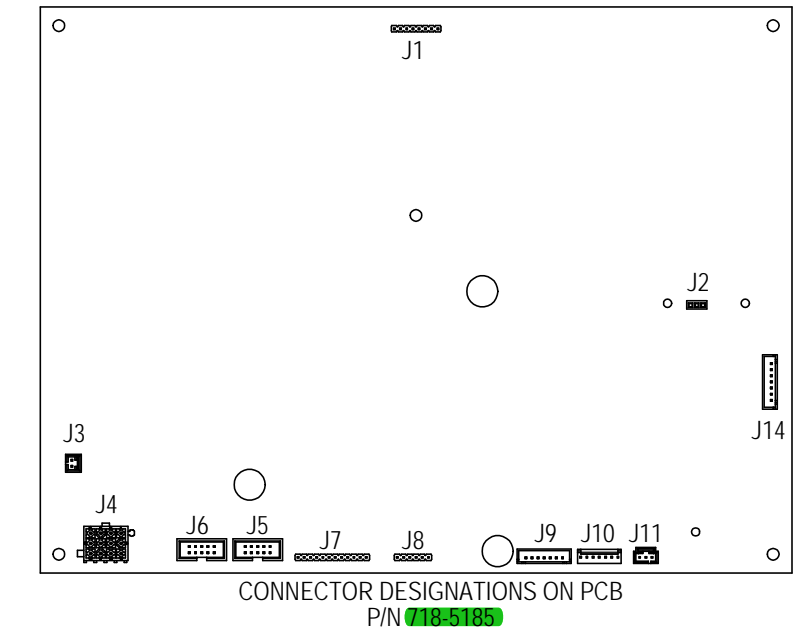
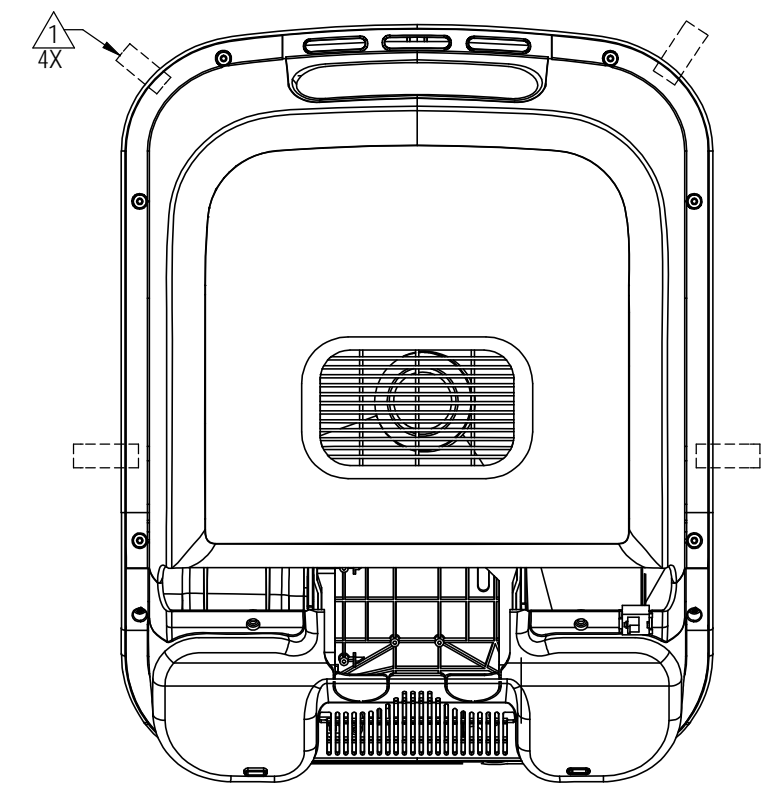


REVISIONS				
REV.	DATE	DESCRIPTION	ECO	BY
A	03-26-08	PRODUCTION RELEASE, NEW IPOD CONSOLE	11822	DN
B	04-30-08	ADD 718-5186 AND REMOVE 718-5095	11890	AK
C	01-14-09	ADDED: P/N 140-3459 IPOD PORT PLUG AND NOTE 6	12079	AK
D	11-11-09	REMOVE P/N: 715-3407 QTY:1; ADD P/N: 715-3864 QTY:1, 718-5196 QTY:1; P/N: 110-3402 QTY: IS 26 WAS 27; ADD NOTE 7	12313	SJK

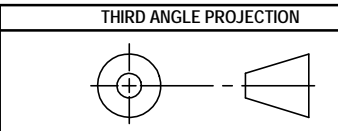


ITEM	PART NUMBER	DESCRIPTION	Default QTY.
1	020-7053	HOUSING, BACK, TOP, BCS	1
2	020-7058	HOUSING, TV CAP, BLANK, BCS	1
3	020-7078	ASSY, BOTTOM, CUP HLDR, BTS	1
4	020-7094	HOUSING, HEAD PH, BLANK, BCS	1
5	020-7289	POCKET, IPOD HOLDER, E-SERIES	1
6	050-2041	LOGO, STAR TRAC, 6.425X1.523	1
7	110-3402	SCREW, M4x0.7x19L, PHT, PH, CS, BZ	26
8	110-3404	SCREW, M4x0.7x8L, PHT, PH, CS, BO	3
9	140-3459	PLUG, IPOD PORT	1
10	715-3651	ASSY, AIR VENT, BCS	1
11	715-3864	ASSY, WIRELESS HR, POLAR, 92cm L.R.	1
12	718-5096	ASSY, CC, BCS, BASIC	1
13	718-5101	HOUSING, FRONT W/COVER, BCS	1
14	718-5186	ASSY, DISPLAY LED, E-BIKES	1
15	718-5196	ASSY, CABLE, WIRELESS HR	1
16	721-0033	ASSY., CONN., FITLINX/CARDIO	1

- NOTES: (D)
- USE NON MARKING, LOW TACK, CLEAR TAPE TO HOLD BACK PLASTIC (P/N 020-7053 TO COMPLETE ASSEMBLY).
 - QTY 8 OF P/N 110-3402 TO BE PROVIDED IN A POLYBAG.
 - CLEAN AREA WITH ISOPROPYL ALCOHOL & LET DRY BEFORE APPLICATION OF STICKER.
 - APPLY 13-17 lb-in. / 1.5-1.9 N-m TORQUE TO SCREWS (110-3402).
 - APPLY 8-12 lb-in. / 0.9-1.4 N-m TORQUE TO SCREWS (110-3404).
 - P/N 140-3459 IPOD PORT PLUG IS INSERTED IN P/N 020-7289 (IPOD CUPHOLDER)
 - APPLY PRESSURE FOR AT LEAST 5 SEC. FOR ADHESIVE TO ADHERE TO PLASTIC SHROUD WHEN HR BOARD (715-3864) IS MOUNTED.

**DOCUMENT STATUS:
RELEASE**

NOTICE OF PROPRIETARY INFORMATION
THIS DOCUMENT SHALL NOT BE REPRODUCED NOR SHALL THE INFORMATION CONTAINED HEREIN BE USED BY OR DISCLOSED TO OTHER EXCEPT AS EXPRESSLY AUTHORIZED BY UNISEN INC. D.B.A. STAR TRAC.

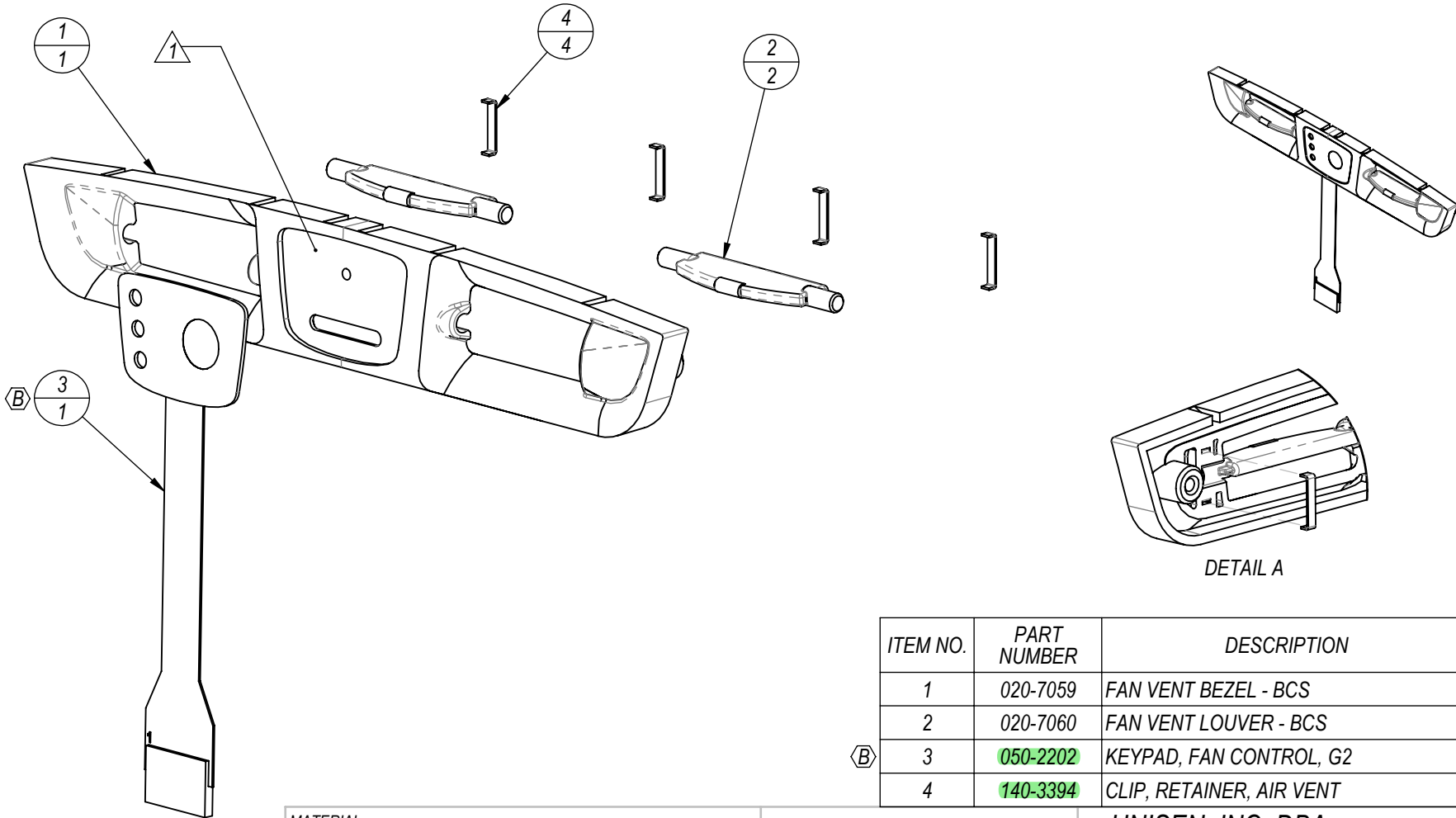


MATERIAL SEE BOM	UNLESS OTHERWISE SPECIFIED DIMENSIONS ARE IN INCHES. TOLERANCES ARE: DECIMALS: X = ±.13, XX = ±.05, XXX = ±.03, XXXX = ±.010 ANGLES: ±2°	UNISEN, INC. DBA STAR TRAC 14410 Myford Road Irvine CA 92606
FINISH N/A	DRAWN: DN CHECKED: [] APPROVED: []	STARTRAC PART NO: 718-5173 REV: D
VENDOR: N/A	P/N: N/A	TITLE: ASSY, DISP ELEC, IPOD CUP, E-BK SCALE: 1:3 SHEET 1 OF 1 SHEET SIZE: C

NOTES:

1. CLEAN SURFACE WITH ISOPROPYL ALCOHOL & LET DRY BEFORE APPLICATION OF KEYPAD.

REVISIONS				
REV.	DATE	DESCRIPTION	ECO	BY
A	03-16-07	RELEASE FOR PRODUCTION	11562	RLH
B	01-04-11	REPLACE P/N: 050-2026 WITH P/N: 050-2202	13469	SJK



ITEM NO.	PART NUMBER	DESCRIPTION	QTY.
1	020-7059	FAN VENT BEZEL - BCS	1
2	020-7060	FAN VENT LOUVER - BCS	2
(B) 3	050-2202	KEYPAD, FAN CONTROL, G2	1
4	140-3394	CLIP, RETAINER, AIR VENT	4

DOCUMENT STATUS:


 2011.01.2
 7
 10:13:38
 -08'00'

NOTICE OF PROPRIETARY INFORMATION

THIS DOCUMENT SHALL NOT BE REPRODUCED NOR SHALL THE INFORMATION CONTAINED HEREIN BE USED BY OR DISCLOSED TO OTHER EXCEPT AS EXPRESSLY AUTHORIZED BY UNISEN

MATERIAL
SEE BOM

FINISH
NONE

VENDOR: N/A

P/N: N/A

TOLERANCES UNLESS OTHERWISE SPECIFIED

X.XXX = ± .010" (0.25MM) ANGLES = ± 2°
 X.XX = ± .030" (0.76MM) FRACTIONS = ± 1/32
 X.X = ± .050" (1.27MM)
 X. = ± .125" (3.20MM)

	INITIAL	DATE
DRAWN	SJK	12/2/06
CHECKED		
APPROVED		
	U.O.M.	

UNISEN, INC. DBA



14410 Myford Road
Irvine CA 92606

STARTRAC PART NO

715-3651

REV

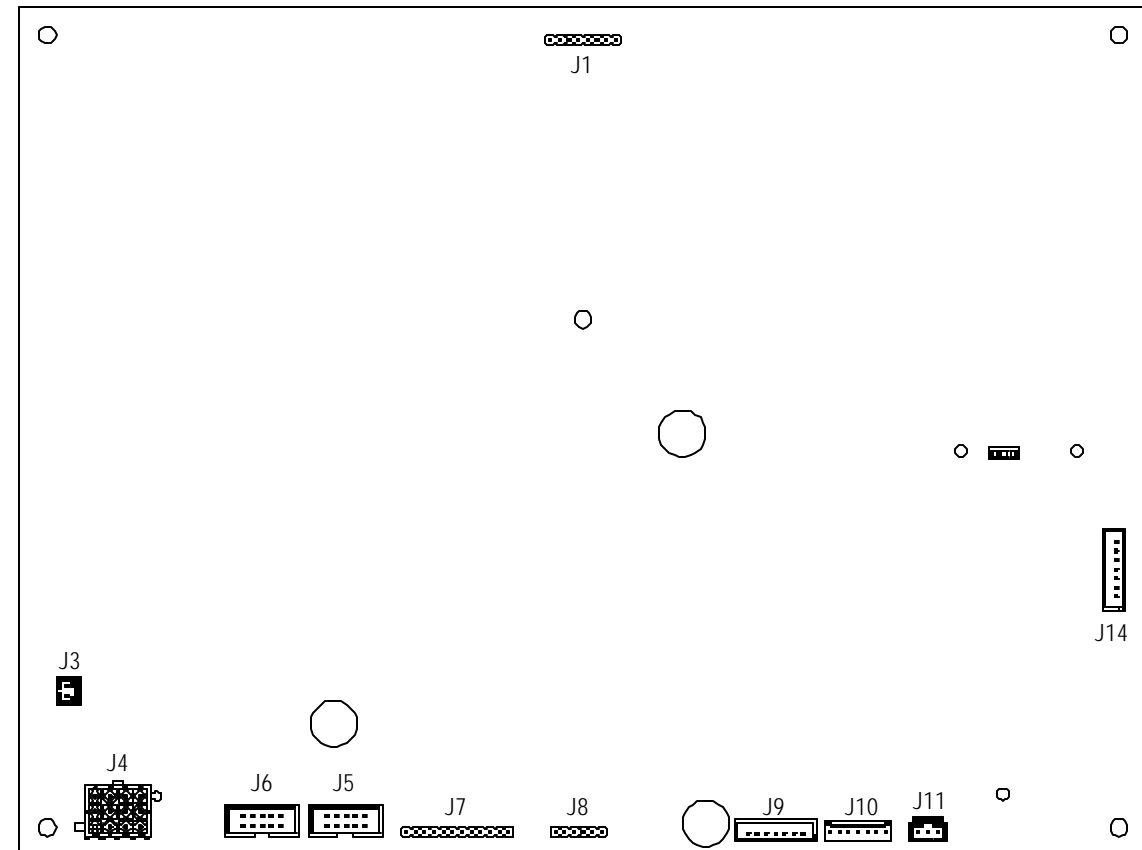
B

TITLE

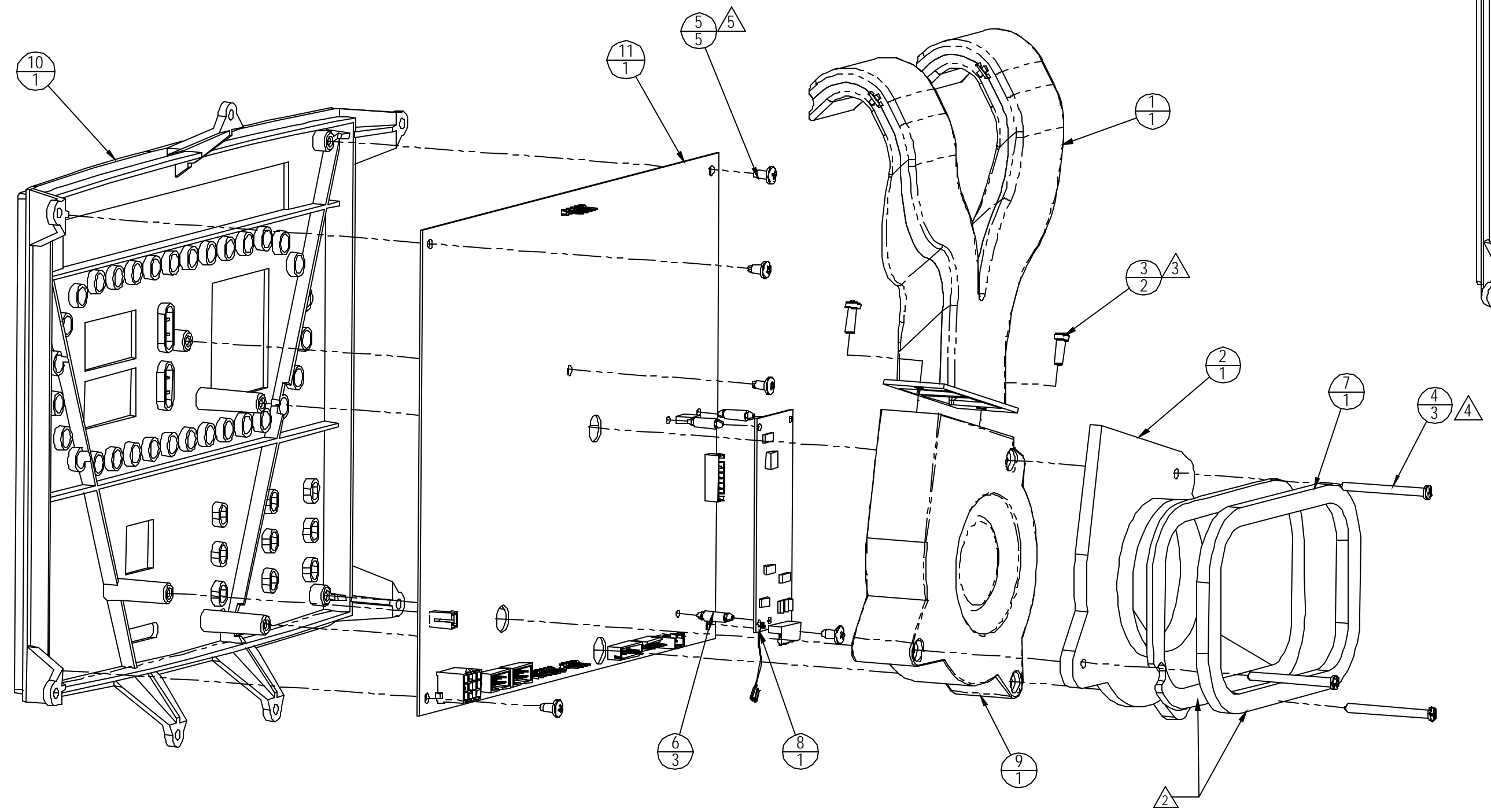
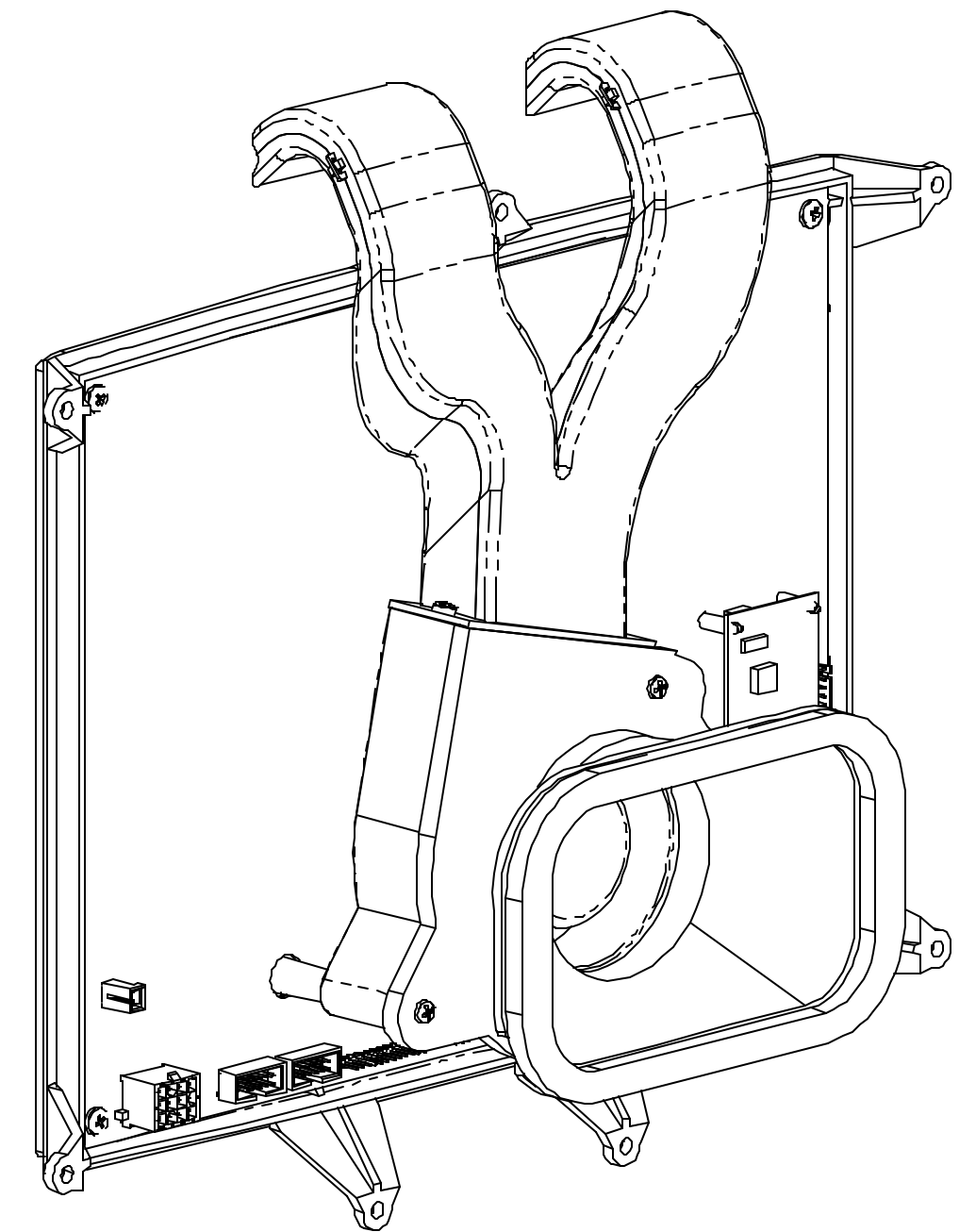
ASSY, AIR VENT, BCS

SCALE: 1:1.5 | SHEET 1 OF 1 | SHEET SIZE: A

REVISIONS				
REV.	DATE	DESCRIPTION	ECO	BY
A	04-30-08	RELEASE FOR PRODUCTION	11890	FJM



CONNECTOR DESIGNATIONS ON PCB
P/N 718-5185



ITEM NO.	PART NUMBER	DESCRIPTION	Default/O.TY.
1	020-7063	DUCT,VENT,BCS,LED,VLAD	1
2	020-7067	INTAKE,BLOWER,BCS,LED	1
3	110-3168	SCREW, M4x12, PHM,PH, CS,ZI	2
4	110-3403	SCREW, M4x0.7x45L,PHT,PH,CS,BO	3
5	110-3404	SCREW, M4x0.7x8L,PHT,PH,CS,BO	5
6	120-3250	STANDOFF, 1/8" DIA X 7/16" NYLON	3
7	140-3396	GASKET, BCS BLOWER DUCT, FOAM	1
8	715-3670	PCBA, SALUTRON 6000, VLAD	1
9	718-1122	ASSY,BLOWER,12VDC	1
10	718-5102	ASSY, KEY PAD TO BEZEL,E-BIKES	1
11	718-5185	ASSY, DISP BOARD LED,USB,E-BCS	1

- NOTES:
- CONNECTIVITY:
 - 260-0932 WIRE TO J3 ON 718-5185
 - 050-2033 RIBBON TO J7 ON 718-5185
 - P/N 140-3396 TO ATTACH TO P/N 020-7067 VIA ADHESIVE STRIP LOCATED ON FACE OF P/N 140-3396.
 - APPLY 13-17 lb-in / 1.5-1.9 N-m OF TORQUE TO SCREWS (110-3168).
 - APPLY 8-12 lb-in / 0.9-1.4 N-m OF TORQUE TO SCREWS (110-3403).
 - APPLY 13-17 lb-in / 1.5-1.9 N-m OF TORQUE TO SCREWS (110-3404).
 - APPLY 10-12 lb-in / 1.1-1.4 N-m OF TORQUE TO SCREWS (110-3405).

**DOCUMENT STATUS:
RELEASE**

NOTICE OF PROPRIETARY INFORMATION
THIS DOCUMENT SHALL NOT BE REPRODUCED NOR SHALL THE INFORMATION CONTAINED HEREIN BE USED BY OR DISCLOSED TO OTHER EXCEPT AS EXPRESSLY AUTHORIZED BY UNISEN

MATERIAL	SEE BOM
FINISH	N/A
VENDOR:	N/A
P/N:	N/A

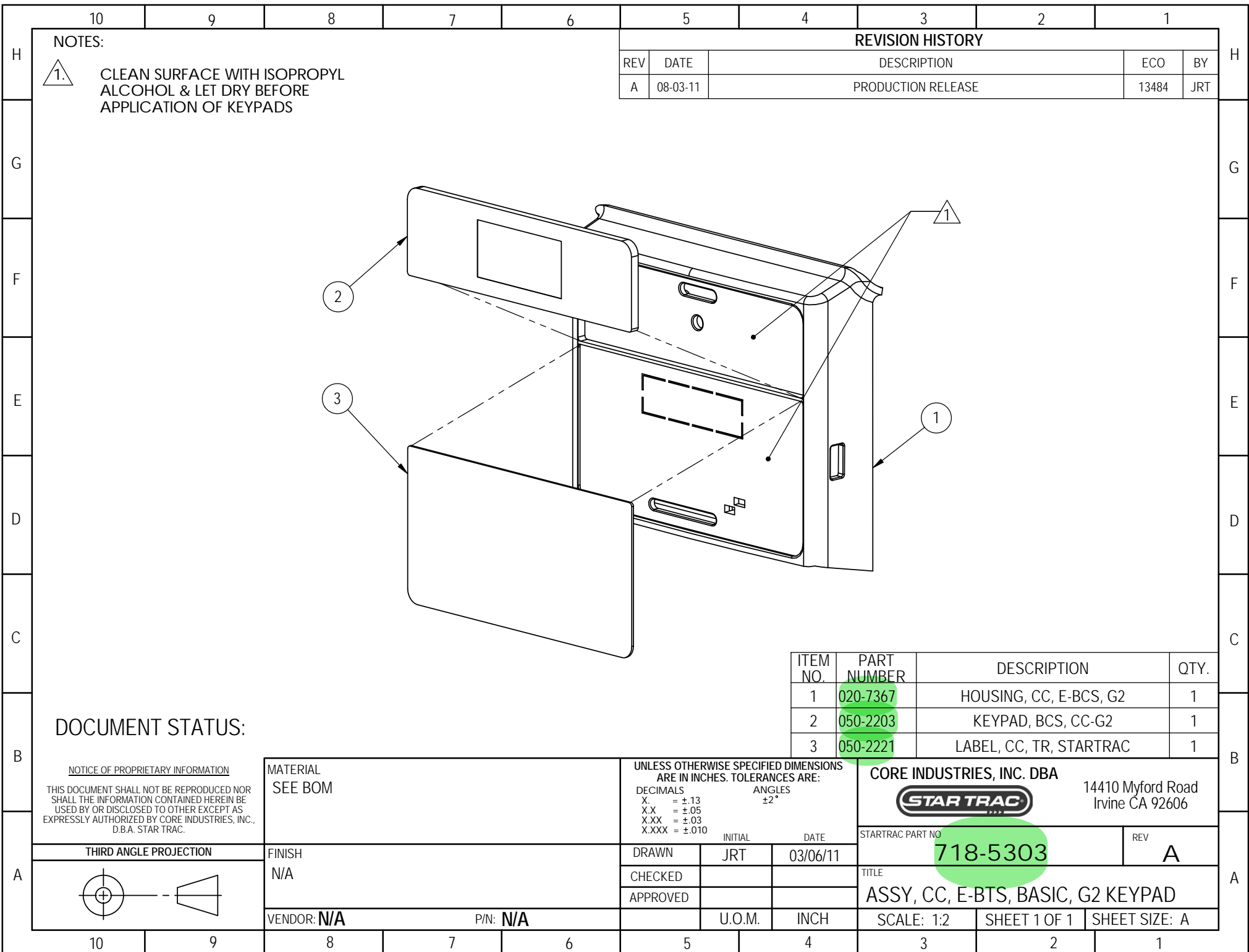
TOLERANCES UNLESS OTHERWISE SPECIFIED	
X.XXX ± 0.010 (0.25MM)	ANGLES ± 0.5°
X.XX ± 0.030 (0.76MM)	FRACTIONS ± 1/32
X.X ± 0.050 (1.27MM)	
X ± 0.125 (3.20MM)	

UNISEN, INC. DBA STAR TRAC 14410 Myford Road Irvine CA 92606

PART NO: **718-5186** REV: **A**

TITLE: **ASSY, DISPLAY LED, E-BIKES**

SCALE: 1:2 SHEET 1 OF 1 SHEET SIZE: C



NOTES:

1. CLEAN SURFACE WITH ISOPROPYL ALCOHOL & LET DRY BEFORE APPLICATION OF KEYPADS

REVISION HISTORY

REV	DATE	DESCRIPTION	ECO	BY
A	08-03-11	PRODUCTION RELEASE	13484	JRT

ITEM NO.	PART NUMBER	DESCRIPTION	QTY.
1	020-7367	HOUSING, CC, E-BCS, G2	1
2	050-2203	KEYPAD, BCS, CC-G2	1
3	050-2221	LABEL, CC, TR, STARTRAC	1

DOCUMENT STATUS:

NOTICE OF PROPRIETARY INFORMATION

THIS DOCUMENT SHALL NOT BE REPRODUCED NOR SHALL THE INFORMATION CONTAINED HEREIN BE USED BY OR DISCLOSED TO OTHER EXCEPT AS EXPRESSLY AUTHORIZED BY CORE INDUSTRIES, INC., D.B.A. STAR TRAC.

MATERIAL
SEE BOM

UNLESS OTHERWISE SPECIFIED DIMENSIONS ARE IN INCHES. TOLERANCES ARE:
 DECIMALS ANGLES
 X. = ±.13
 X.X = ±.05
 X.XX = ±.03
 X.XXX = ±.010

CORE INDUSTRIES, INC. DBA



14410 Myford Road
Irvine CA 92606

STARTRAC PART NO

718-5303

REV

A

THIRD ANGLE PROJECTION

FINISH

N/A

DRAWN

JRT

03/06/11

CHECKED

APPROVED

TITLE

ASSY, CC, E-BTS, BASIC, G2 KEYPAD

VENDOR: N/A

P/N: N/A

U.O.M.

INCH

SCALE: 1:2

SHEET 1 OF 1

SHEET SIZE: A

10

9

8

7

6

5

4

3

2

1

H

G

F

E

D

C

B

A

H

G

F

E

D

C

B

A